

Planning - Oxford City Planning Committee

On **Tuesday 17 October 2023** At **6.00 pm**

www.oxford.gov.uk



Presentations

Contents

Note: Planning Committee presentations contain mostly pictures, maps and plans. These are not in an accessible format.

To see full details of the application including full plans, representations, public comments and supplementary information, please [click here](#) and enter the relevant Planning Reference number in the search box

- | | | |
|----|--|---------|
| 3. | 23/01509/RES: Land Bounded by A34 And A44 And A40, Parcel 1, Woodstock Road, Oxford OX2 8JP | 3 - 18 |
| 4. | 22/02446/CT3: Donnington Recreation Ground, Freelands Road, Oxford OX4 4BT | 19 - 32 |

The agenda, reports and any additional supplements can be found together with this supplement on the committee meeting webpage.

*View or subscribe to updates for agendas, reports and minutes at mycouncil.oxford.gov.uk.
All public papers are available from the calendar link to this meeting once published*

Oxford City Council, Town Hall, St Aldate's Oxford OX1 1BX

This page is intentionally left blank

Oxford City Planning Committee Presentation

Reference Number: 23/01412/RES
Site Address: Building A – Oxford
North

3

www.oxford.gov.uk



**OXFORD
CITY
COUNCIL**



Approved Masterplan

[.gov.uk](https://www.gov.uk)

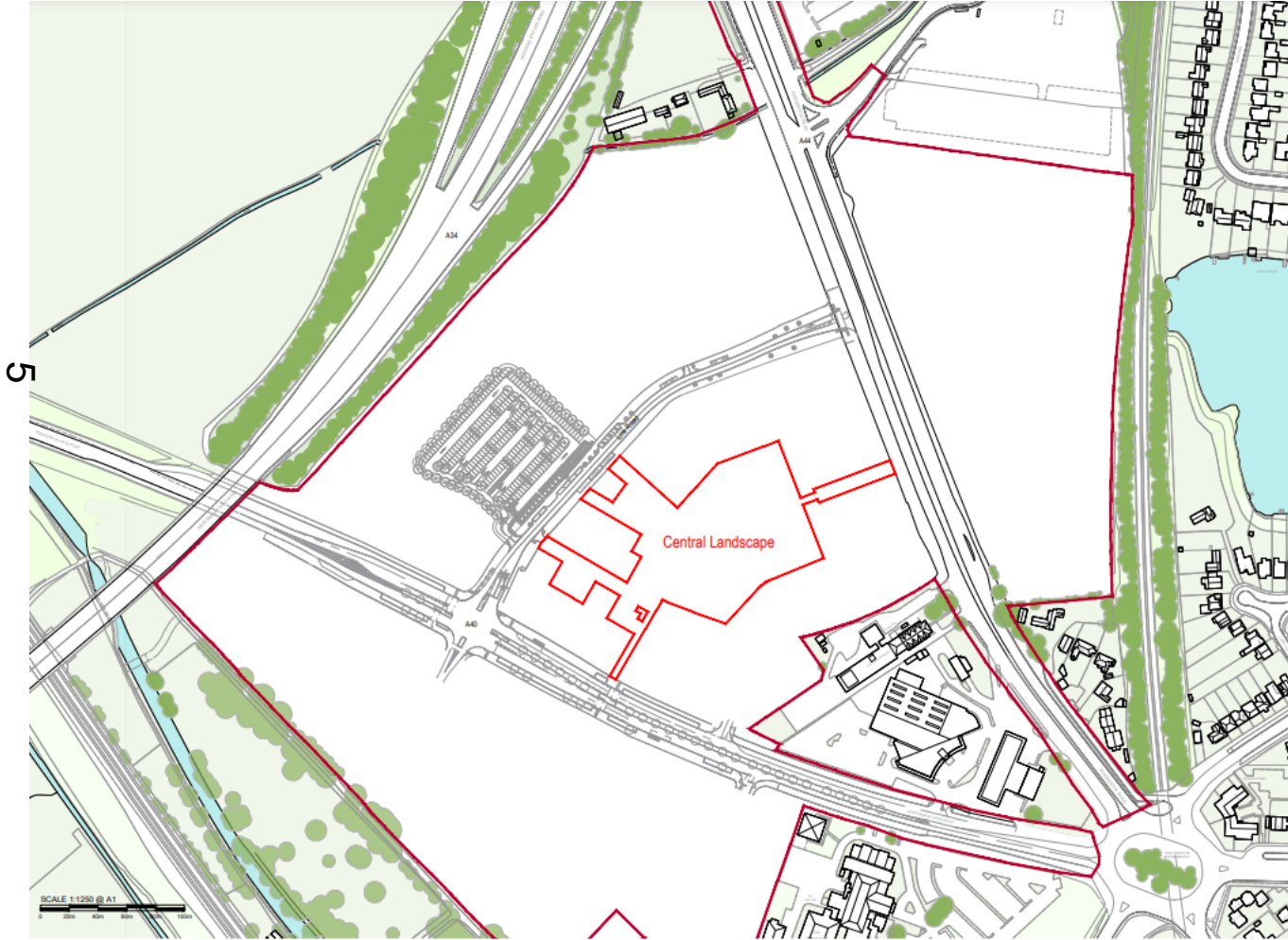


fletcher priest architects
london + k&h + s&g

ED
IL



Location Plan



www.oxford.gov.uk

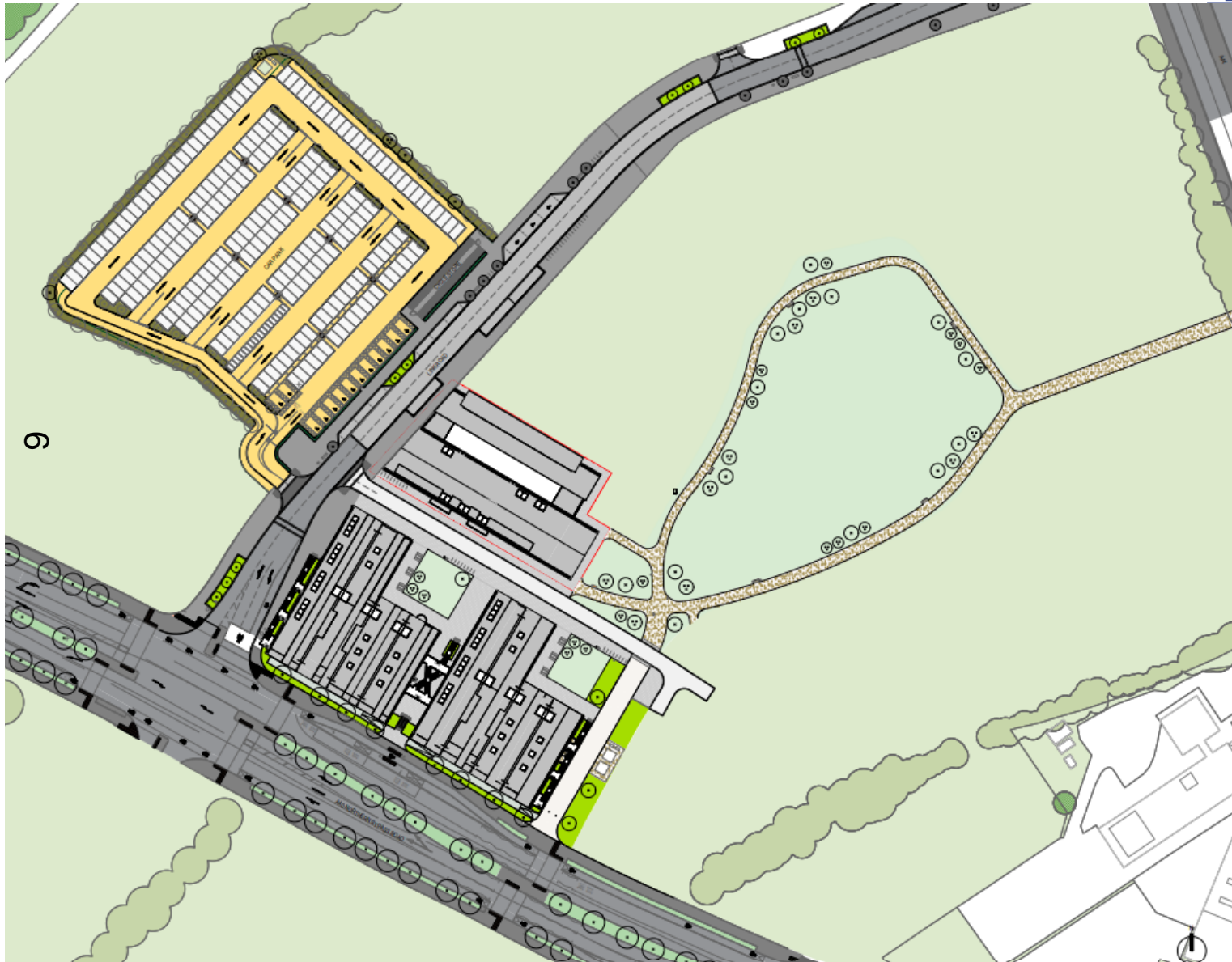


Phase 1a Consented Plans

[-gov.uk](http://www.oxford.gov.uk)

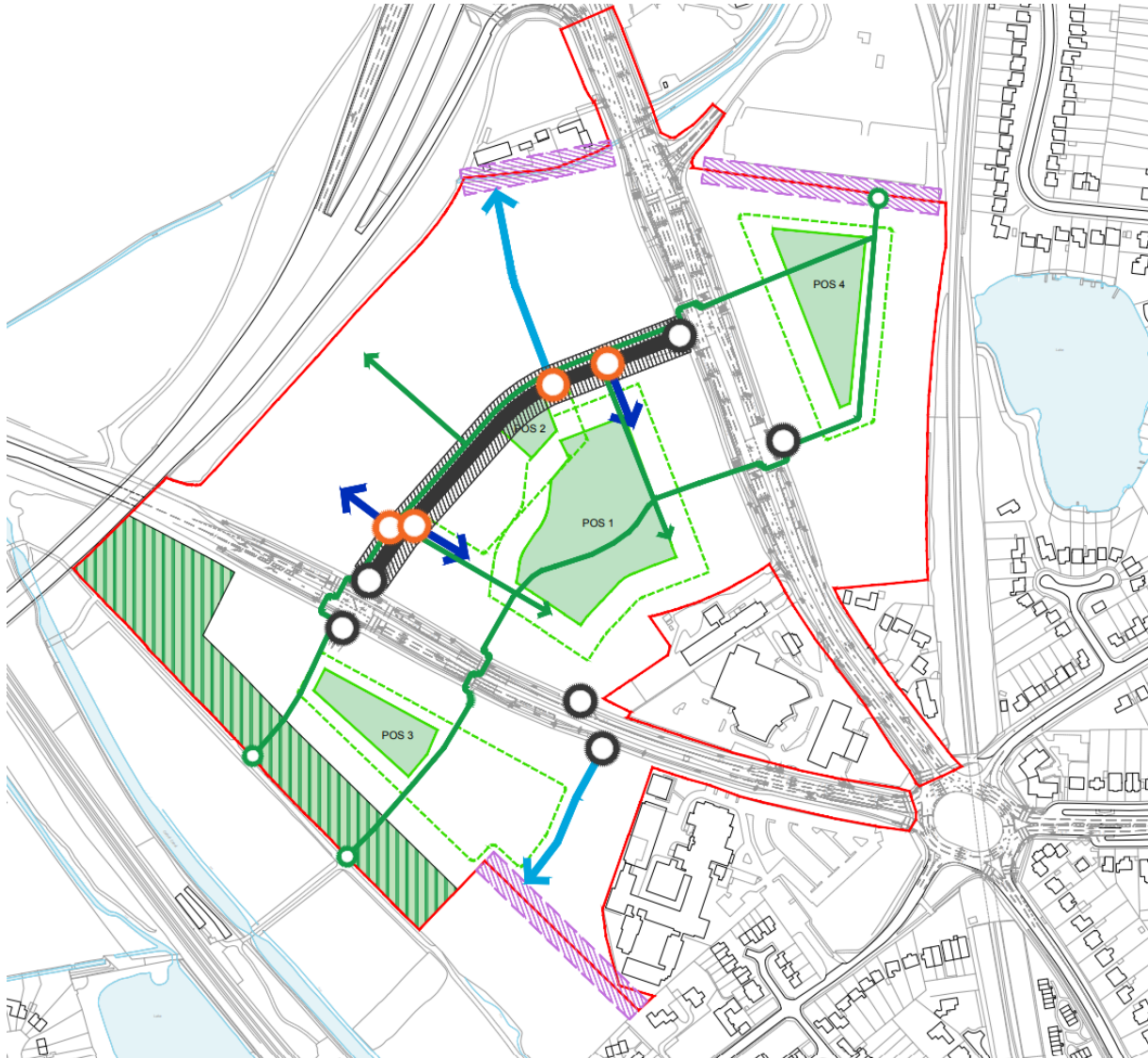


**OXFORD
CITY
COUNCIL**



Access and Circulation Parameter Plan

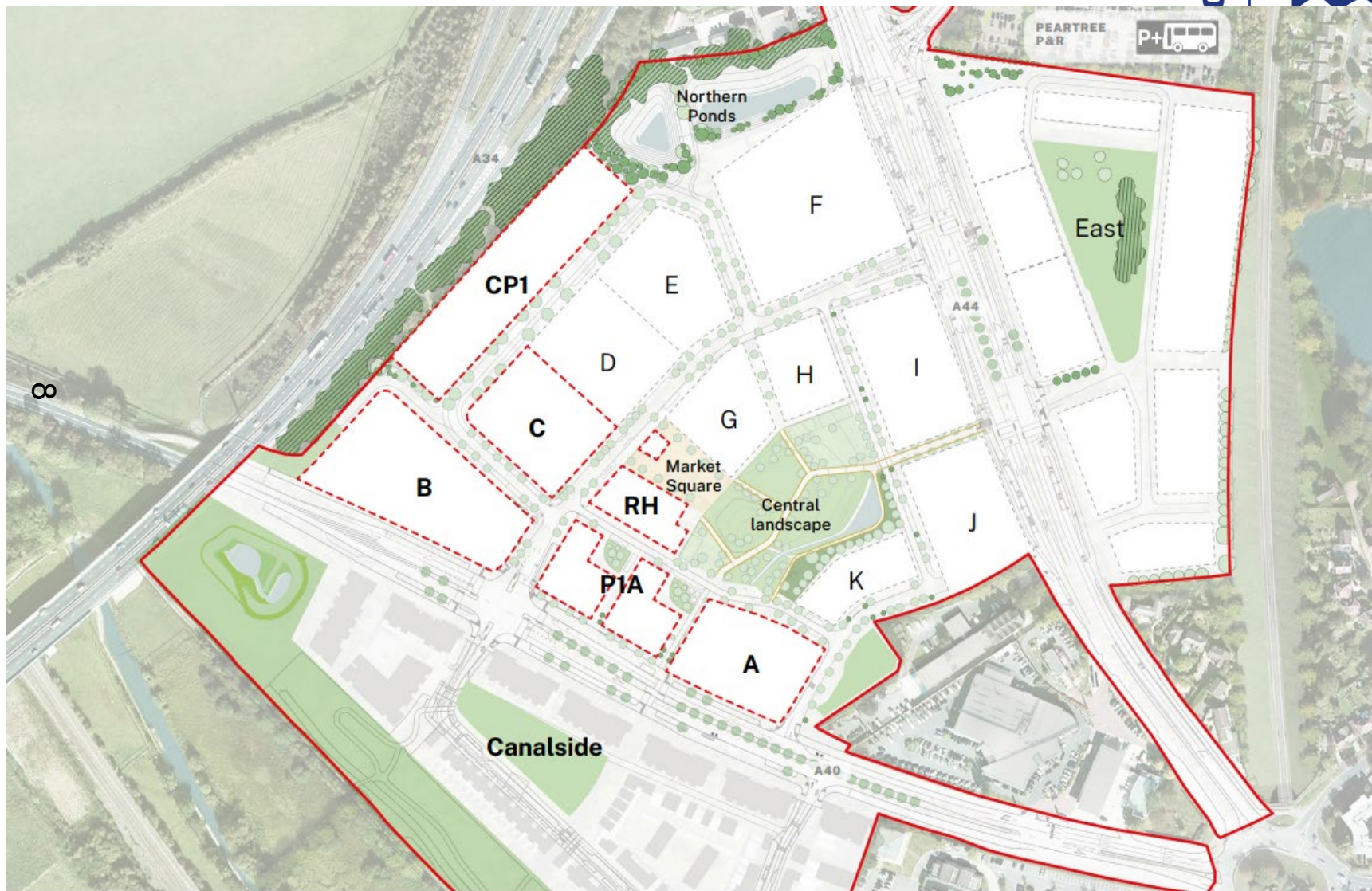
7



- Outline planning application boundary
- Link road (+/- 15.00m LOD)
- Link for 3rd party land (indicative alignment)
- Key cycle / pedestrian connections (indicative alignment)
- Indicative alignment of tertiary streets
- Locations of junction on external highways
- Pedestrian access points
- Junctions off new central street (indicative location)
- Principal connection points to adjoining land
- Public open space
- Maximum limits of deviation of public open space
- Landscape area (Includes public open space landscape and ecology outside developable area. May include above ground infrastructure)



Oxford North – Phase 2 Proposals



Updated Masterplan with Phase 2 Proposals

rd.gov.uk



FORD
CITY
COUNCIL



Landscape Plan

rd.gov.uk



OXFORD
CITY
COUNCIL



Central Park

11



www.oxford.gov.uk



Market Square, Link Road and Courtyard Spaces



12

www.oxford.gov.uk

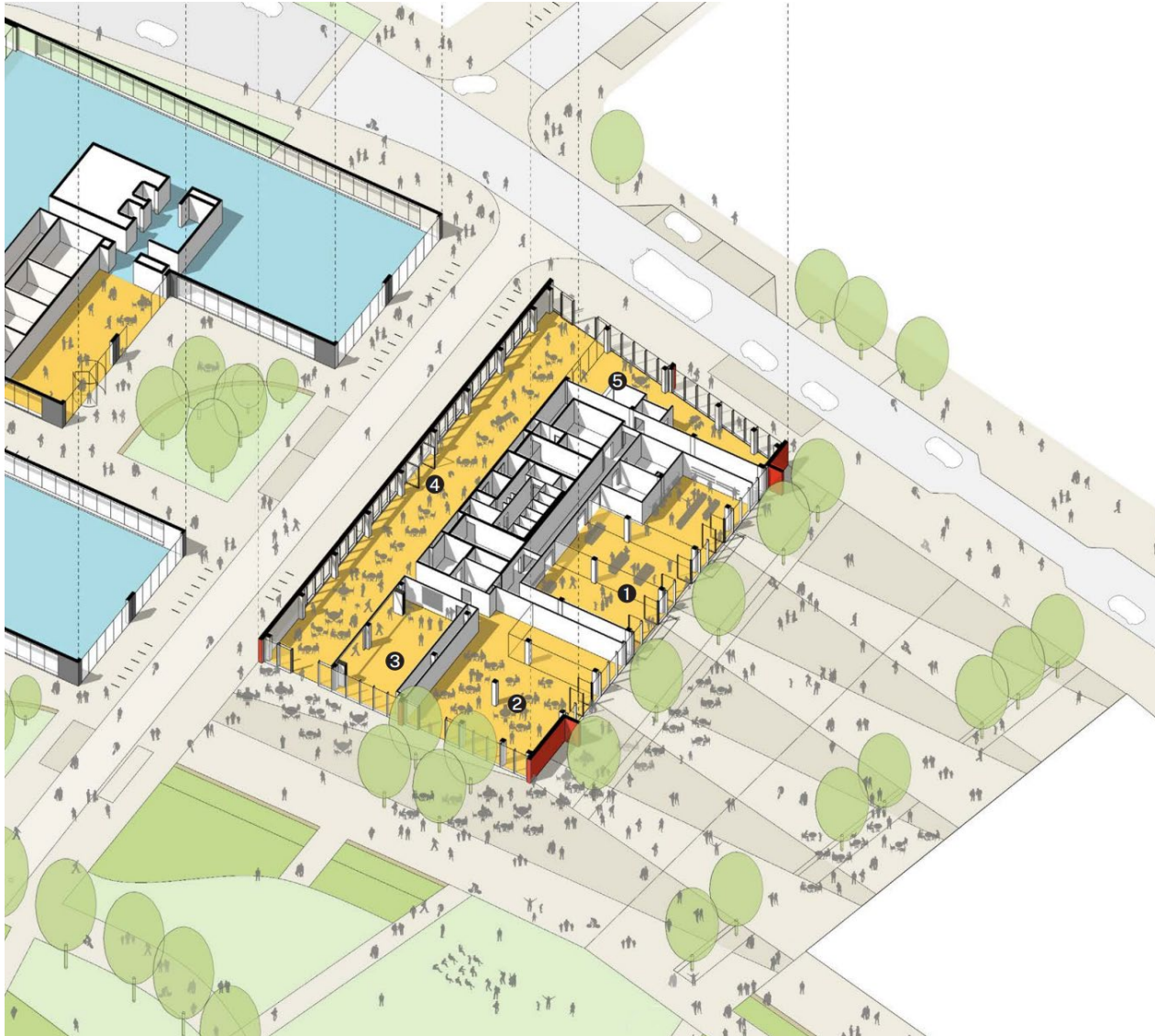


Red Hall Relationship to Public Realm

www.oxford.gov.uk



13



View of Proposed Park

oxford.gov.uk



14



Woodland Walk and Proposed Play Area



15

www.oxford.gov.uk



**OXFORD
CITY
COUNCIL**



Market Square



Market Square



D
L



This page is intentionally left blank

Oxford City Planning Committee Presentation

www.oxford.gov.uk



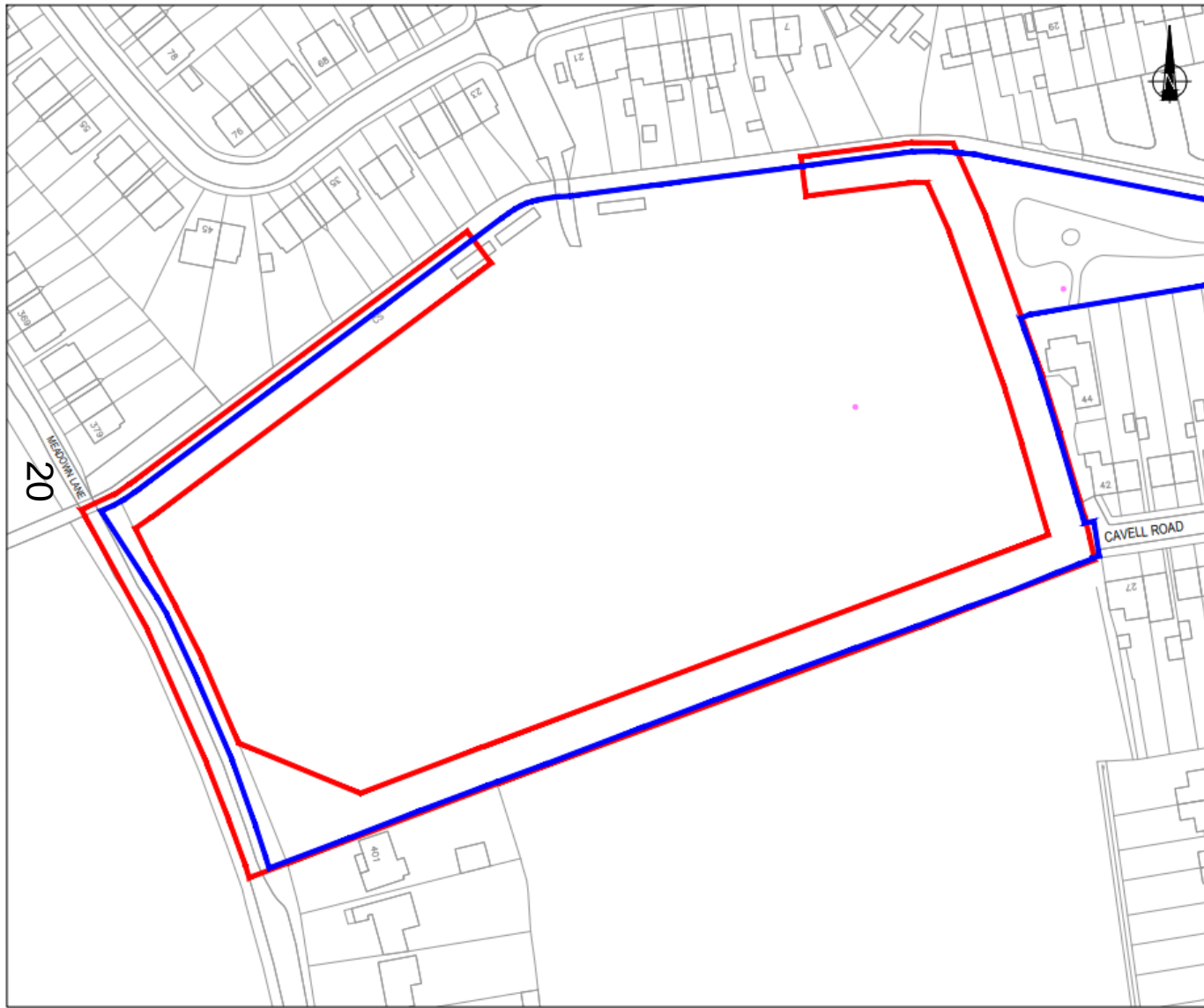
19

Reference Number: 22/02446/CT3

Site Address: Donnington Recreation Ground



Site Location Plan



SCALE 1:1000

© Crown copyright and database rights 2019. Unauthorised reproduction infringes Crown copyright and may lead to prosecution or civil proceedings. Ordnance Survey 100019348

www.oxford.gov.uk



**OXFORD
CITY
COUNCIL**



Aerial View



www.oxford.gov.uk



Proposed Plans



Existing Access – Cavell Road



23

www.oxford.gov.uk



**OXFORD
CITY
COUNCIL**



Existing Desire Line

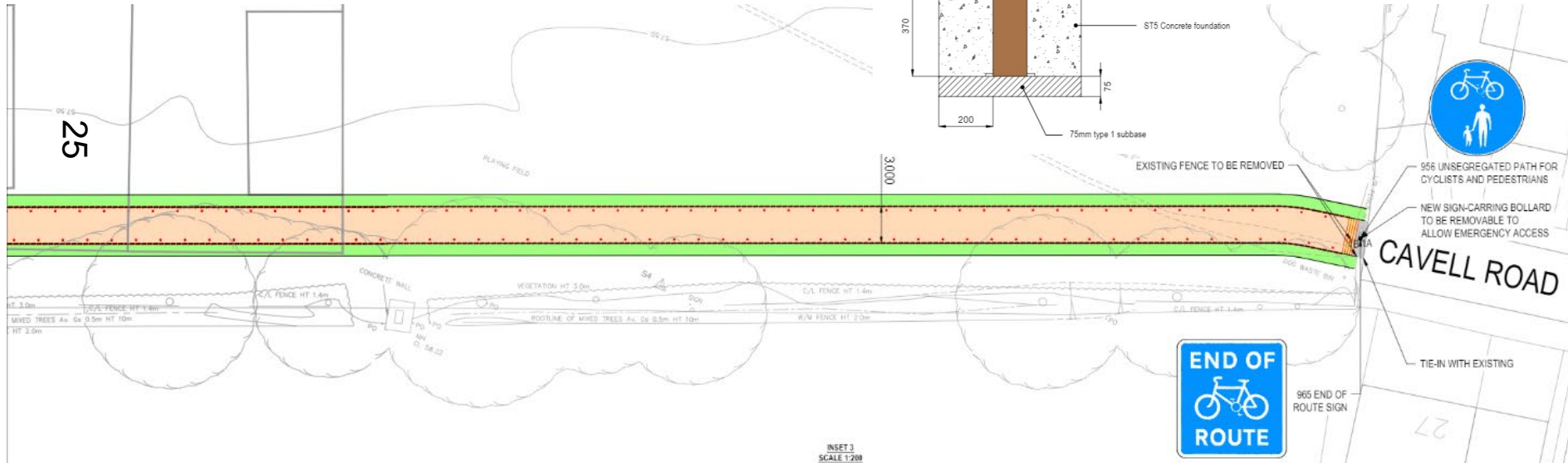


www.oxford.gov.uk



Proposed Plans – Cavell Road

www.oxford.gov.uk



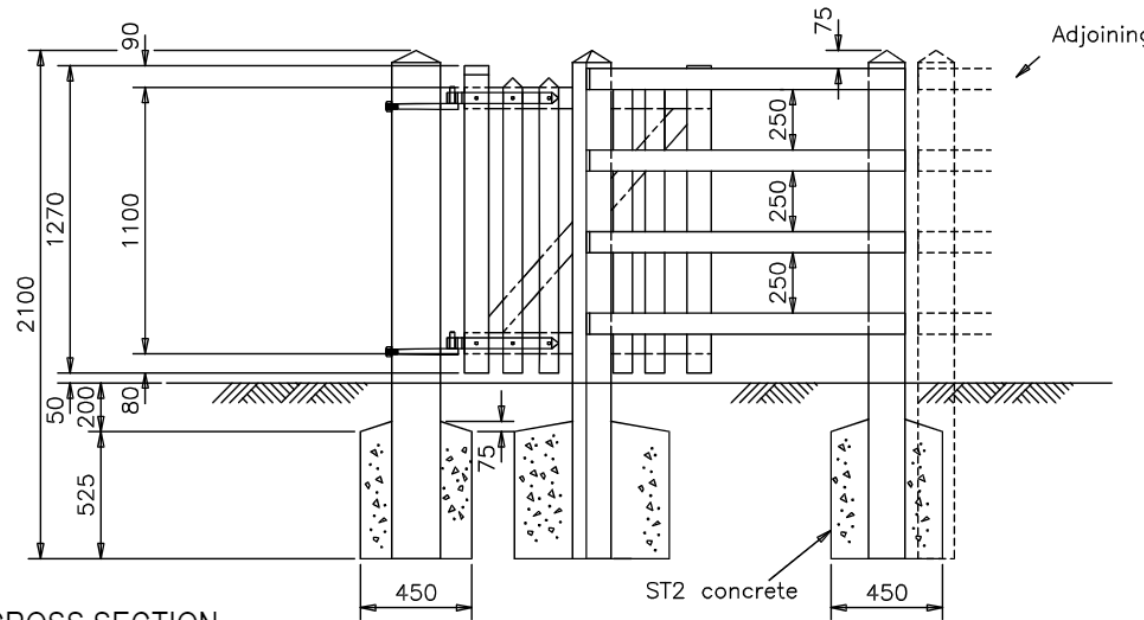
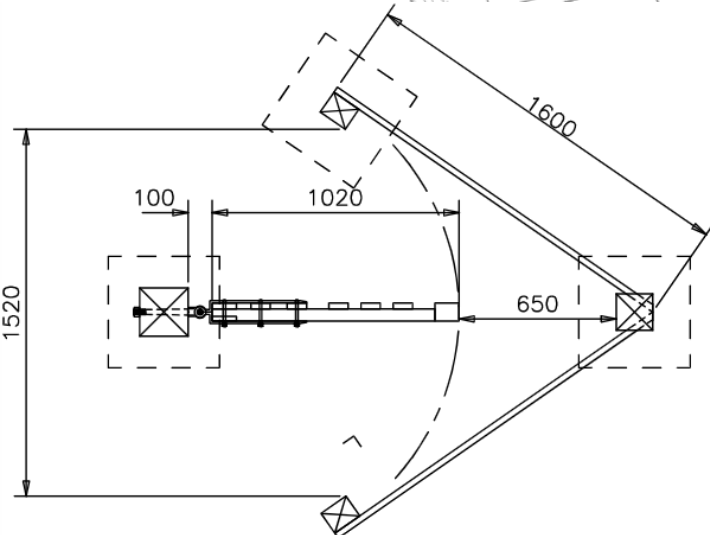
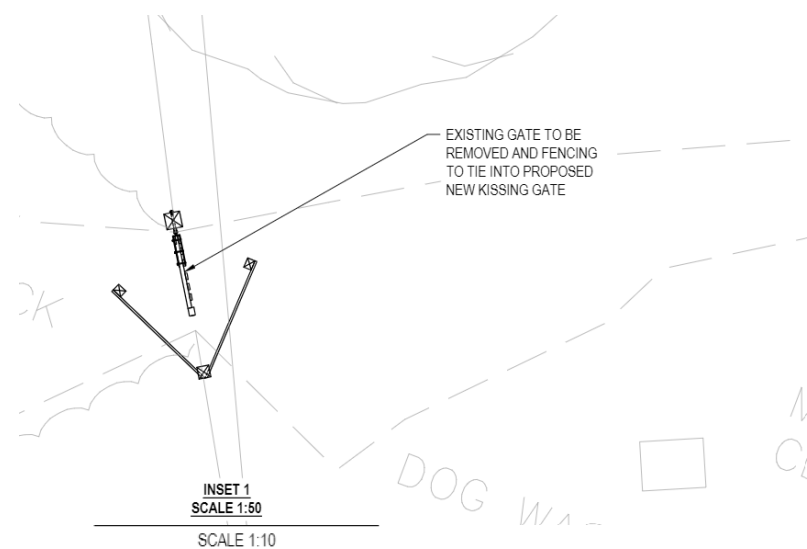
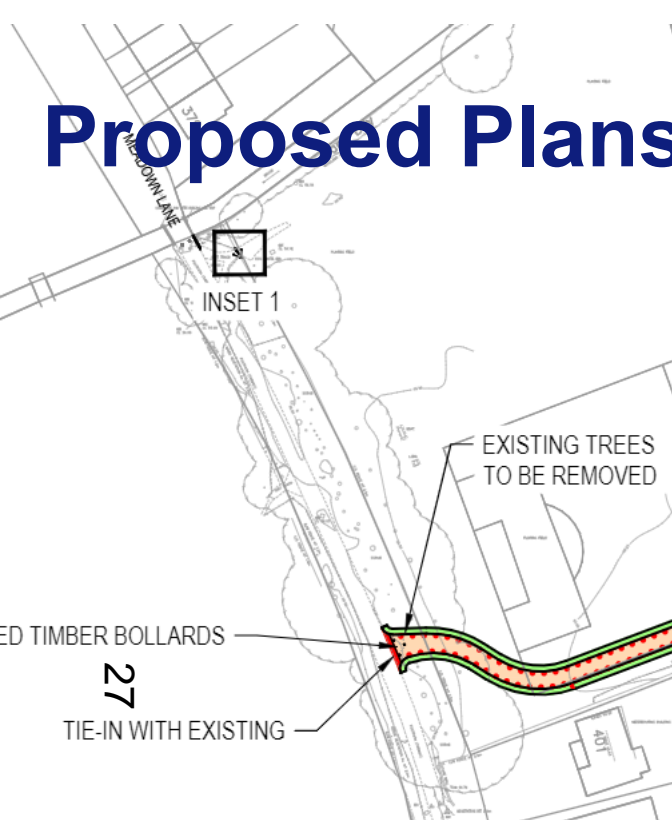
Existing Access – Meadow Lane

www.oxford.gov.uk



Proposed Plans – Meadow Lane Gate

www.oxford.gov.uk

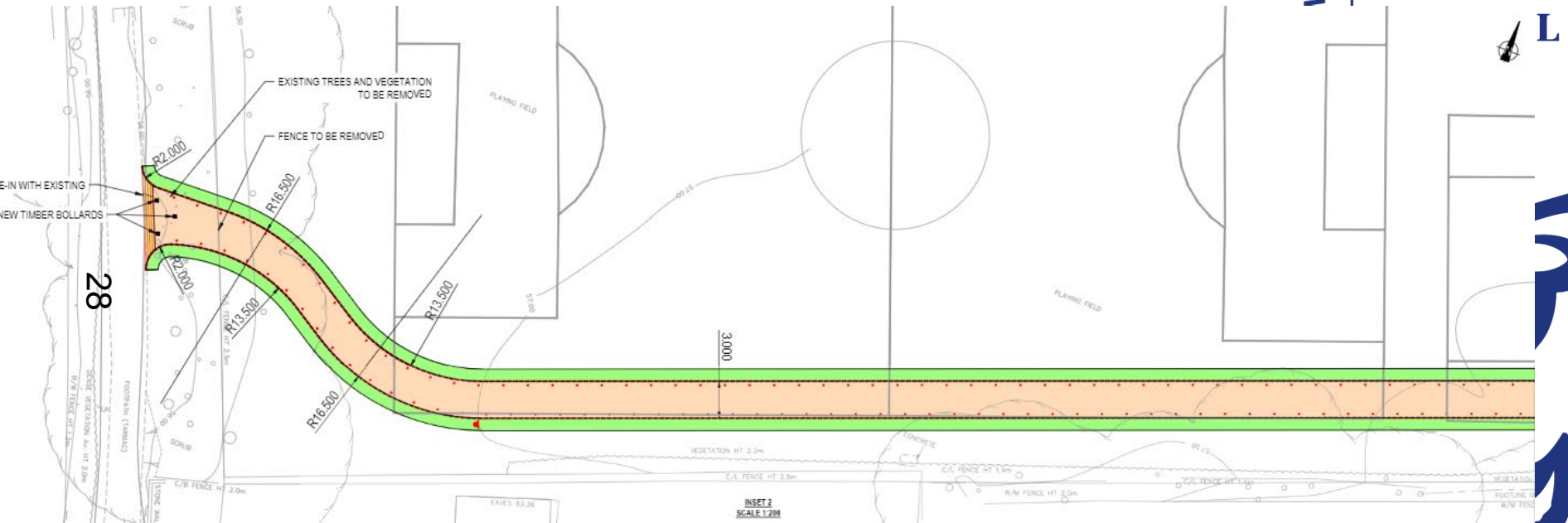


TYPICAL CROSS SECTION

Timber Kissing Gate

Proposed Plans – Meadow Lane

www.oxford.gov.uk



28



Proposed New Access – Meadow Lane



www.oxford.gov.uk



**OXFORD
CITY
COUNCIL**



Tree Plan



On-site Planting



Off-site Planting



**OXFORD
CITY
COUNCIL**



Legend

- Greyfriars School Boundary
- - - Areas Identified for Landscape Enhancement
- Existing Trees
- Existing Hedgerow
- Proposed Native Tree Planting (5 nr)
- Proposed Ornamental Tree Planting (9 nr)
- Proposed Feathered Tree Planting (16 nr)
- Broad Native Hedgerow
- Amenity Grass
- Existing Grass to be Species Enriched with Wildflower Plug Planting
- Existing Grass to be Enriched with Naturalised Bulb Planting
- Native Structure Mix Planting

Notes

- Additional landscape improvement works sought at Greyfriars School through provision of additional tree and hedgerow planting, plus the enrichment of amenity grass with naturalised bulb and wildflower plug planting.
- Full details of services unknown at time of plan production. It is the contractors responsibility to be aware of services on site prior to implementation works. Non-permeable root protection barriers (GreenBlue Urban or similar approved) to be used with planting near to services.

Item Number	Date	Drawn	Check	Appr
44888_3000_02				

FOR ISSUE

OFFSITE LANDSCAPE PROPOSALS ASSOCIATED WITH DÖNNINGTON PLAYING FIELDS OXFORD_CYCLE_SCHEME

CLIENT: JAS/ARCH
OXFORD_DIRECT_SERVICES

Stantec

Drawn by: [Name] Design: [Name] Date: [Date]
Checked by: [Name] Date: [Date]
Approved by: [Name] Date: [Date]

44888_3000_02